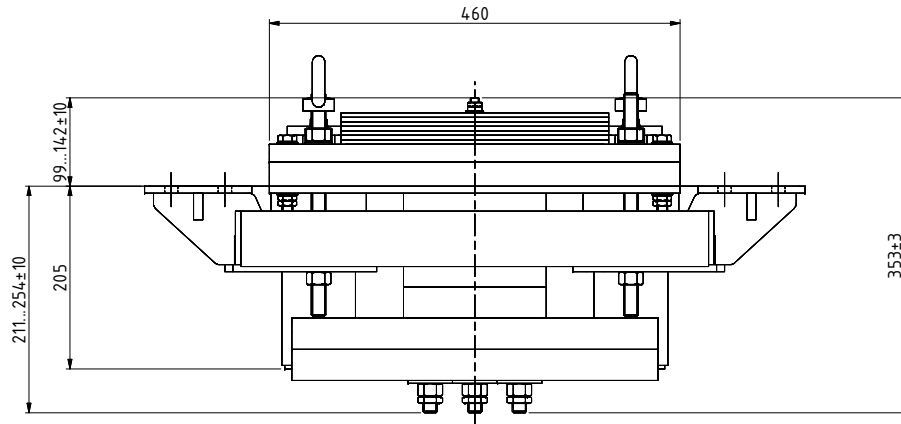
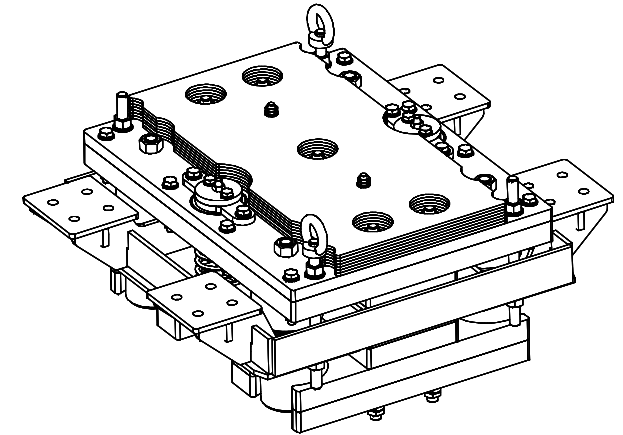
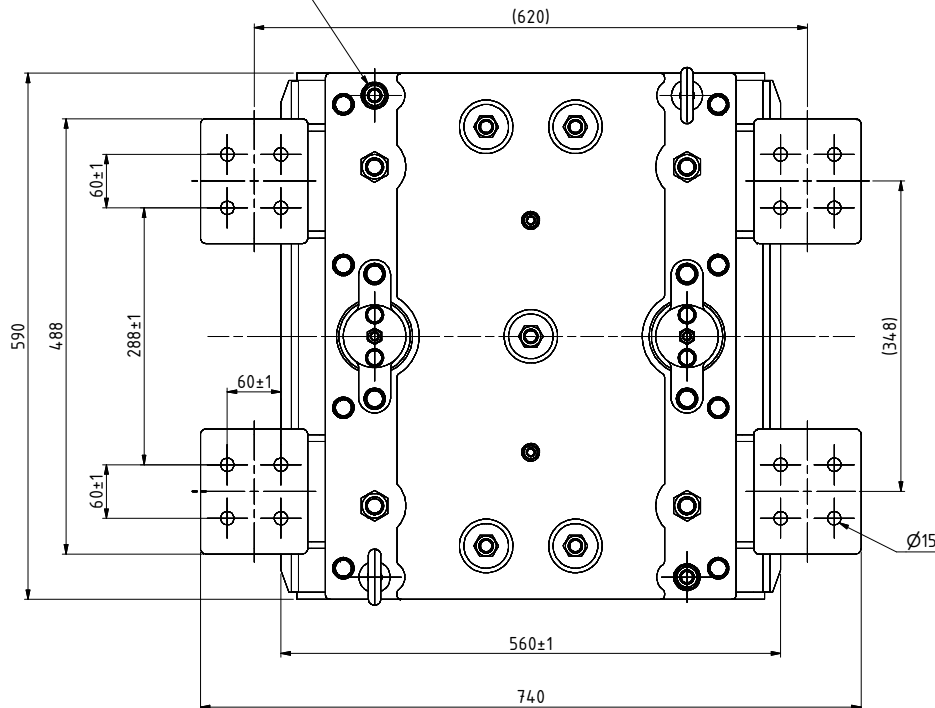


REVISION HISTORY					
Rev	Description	Sign	Checked	Approved	Date
02	Change of design	DZ	JD	JD	2011-06-09
03	1: Added, surface color 2: Change, Resonance frequency	DZ	JD	JD	2011-06-13
04	Change of design	DZ	JD	JD	2011-07-26
05	New dimensions on interface	JD	JD	JD	2011-08-17
06	Change of design	DZ	JD	JD	2011-09-06



4x transport bolt
- to be removed before start up



Total weight of TMD : max. 420 kg
 Vibrating mass : 340 kg
 Max. amplitude : ± 10 mm
 Operating amplitude : ± 4 mm
 Adjustable frequency : 1,7Hz - 2,15Hz
 Corrosion protection : C5-M ; RAL 7038

UNLESS OTHERWISE SPECIFIED DIMENSIONS ARE IN MILLIMETERS						Workmanship and tolerances in accordance with ISO 2768-1 Class M					
Design		Checked by		Approved by		Weight	Format	Scale			
DZ		JD		JD		N/A	A2	N/A			
TMD						Drawing no		Date			
						D110414		2011-09-06			
						Rev.		06			
TOLERANCES											
X.X		± N/A									
X.XX		± N/A									
X.XXX		± N/A									
ANGLES		± 0.5°									
Vibratec Akustikprodukter AB Norrsund 1859,760 17 Blidö Tel. +46 (0) 176 20 78 80 www.vibratec.se						